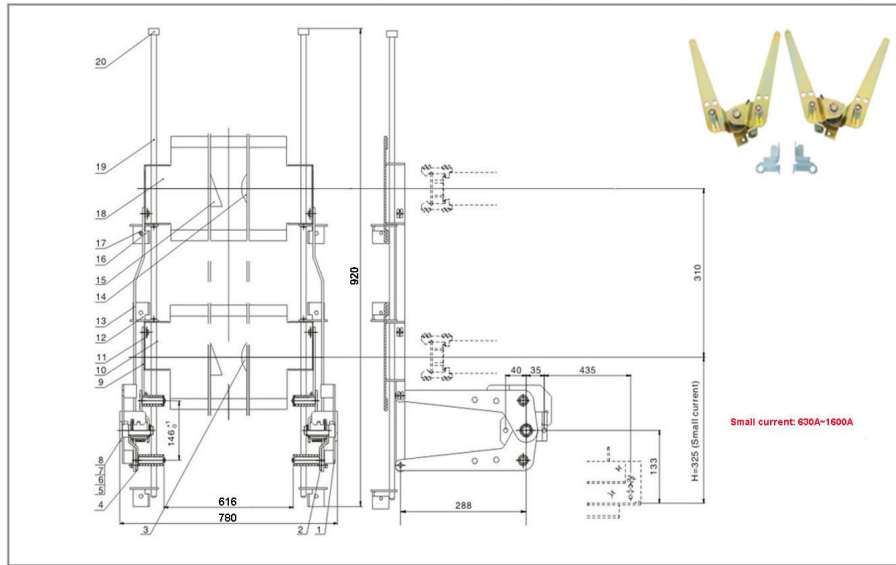


### KYN28A-12(GZS1)

### accessories of middle-placed switchgear KYN28A-12(GZS1)

#### Dimension of 24kV Shutter mechanism 5x S.320.010-24

(It's used for width 800mm switchgears that equipped with VS1, VD4 and TZNH)



#### Accessories of 24kV Shutter mechanism 5x S.320.010-24

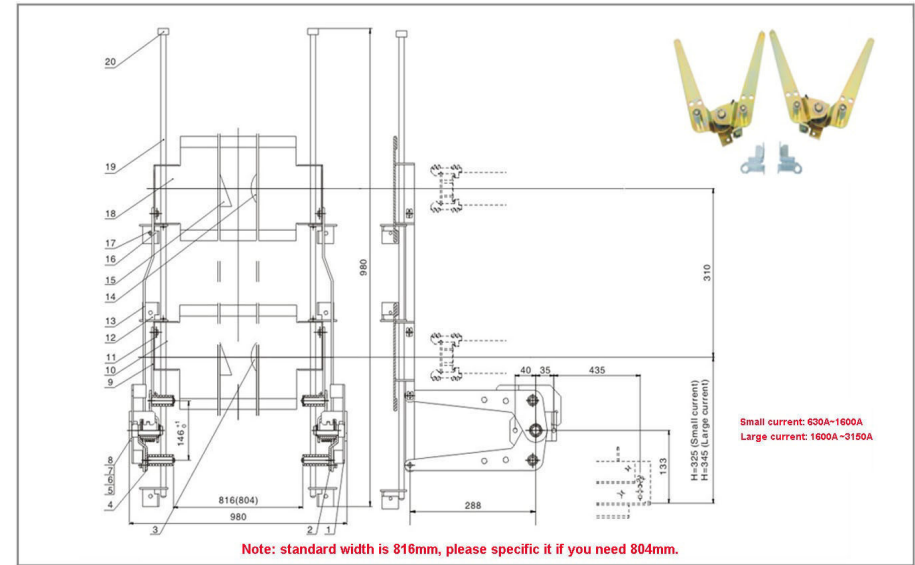
(It's used for width 800mm switchgears that equipped with VS1, VD4 and TZNH)

Item number	name	code	quantity piece/set	Item number	name	code	quantity piece/set
1	right support	8XS.123.276	1	11	barrier plate 10	DK-10	8
2	right connecting plate	8yf.088.061	1	12	supporting plate	8XS.123.278	3
3	left connecting plate	8yf.088.063	1	13	welding connection of connecting plates	8yf.008.071	2
4	direction board	8XS.866.014	1	14	direction board	8XS.866.012	1
5	washer 6	GB97.1-85	16	15	direction board	8XS.866.013	2
6	washer 6	GB93-87	10	16	supporting plate	8XS123.277	3
7	bolt M6 x 12	GB5783-86	10	17	nut M6	GB6170-86	6
8	left support	8XS.123.275	1	18	upper shutter (SMC)	8XS.320.274	1
9	welding connection of connecting plates	8YS.008.072	2	19	guide rod	8yf.008.073	2
10	lower shutter (SMC)	8XS.320.273	1	20	stop collar	8XS.210.011	2

**Note:** There is only one material for item 10 and item 18, SMC shutter plates.

#### Dimension of 24kV Shutter mechanism 5x S.320.011-24

(It's used for width 1000mm switchgears that equipped with VS1, VD4 and TZNH)



#### Accessories of 24kV Shutter mechanism 5x S.320.011-24

(It's used for width 1000mm switchgears that equipped with VS1, VD4 and TZNH)

Item number	name	code	quantity piece/set	Item number	name	code	quantity piece/set
1	right support	8XS.123.276	1	11	barrier plate 10	DK-10	8
2	right connecting plate	8yf.088.061	1	12	supporting plate	8XS.123.278	3
3	left connecting plate	8yf.088.063	1	13	welding connection of connecting plates	8yf.008.071	2
4	direction board	8XS.866.014	1	14	direction board	8XS.866.012	1
5	washer 6	GB97.1-85	16	15	direction board	8XS.866.013	2
6	washer 6	GB93-87	10	16	supporting plate	8XS123.277	3
7	bolt M6 x 12	GB5783-86	10	17	nut M6	GB6170-86	6
8	left support	8XS.123.275	1	18	upper shutter (SMC)	8XS.320.274.2 (1000 insulation)	1
9	welding connection of connecting plates	8YS.008.072	2	19	guide rod	8yf.008.073	2
10	lower shutter (SMC)	8XS.320.273.2 (1000 insulation)	1	20	stop collar	8XS.210.011	2

**Note:** There is only one material for item 10 and item 18, SMC shutter plates.